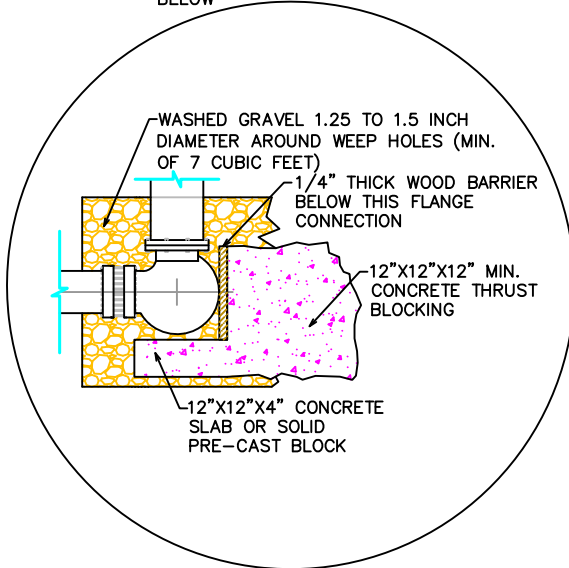


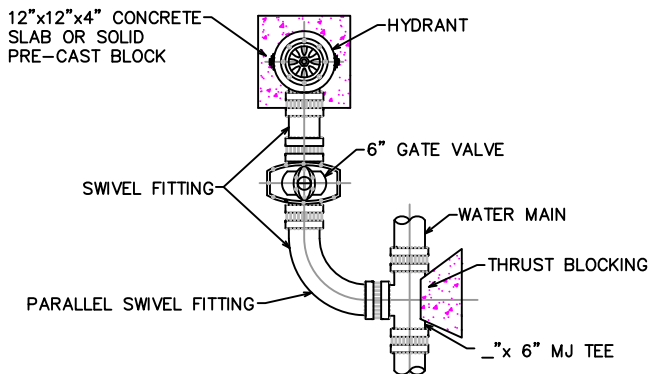
STANDARD FIRE HYDRANT

NOTE: IN CONSTRUCTION WHERE SWIVEL FITTINGS CANNOT BE UTILIZED, ALL-THREAD RODS AND TIE-BOLTS WITH CONCRETE THRUST BLOCKING AS REQUIRED, SHALL BE USED AS SHOWN BELOW

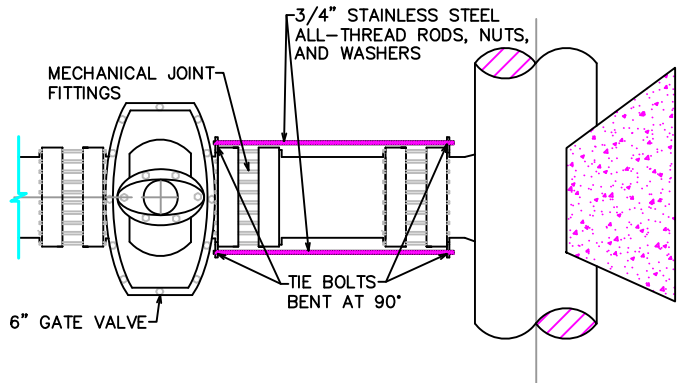


1. TYPE OF FIRE HYDRANT: ALL REQUIRED FIRE HYDRANTS SHALL BE OF THE NATIONAL SCALE STANDARD THREE (3) WAY BREAKAWAY TYPE WITH NO LESS THAN A (5-1/4") MAIN VALVE OPENING (M.V.O.) AND SHALL CONFORM TO PROVISIONS OF THE LATEST A.W.W.A. SPECIFICATIONS C-502 AND SHALL BE PLACED UPON APPROVED WATER-MAINS NOT LESS THAN SIX (6) INCHES IN DIAMETER. ONLY MUELLER A-423 CENTURION AND CLOW MEDALLION F-2546B ARE ACCEPTABLE UNLESS OTHERWISE ACCEPTED BY THE DIRECTOR OF UTILITIES.
2. VALVES SHALL BE PLACED WITHIN 3 FEET OF AND RESTRAINED TO WATER MAIN ON ALL FIRE HYDRANT LEADS.
3. REQUIRED FIRE HYDRANTS SHALL BE INSTALLED SO THAT THE BURY LINE WILL BE NO LESS THAN THREE (3) INCHES, AND NO GREATER THAN SIX (6) INCHES ABOVE THE GRADE SURFACE.
4. FIRE HYDRANTS WHEN LOCATED ON PUBLIC PROPERTY SHALL BE LOCATED A MINIMUM OF TWO (2) FEET AND A MAXIMUM OF EIGHT (8) FEET BEHIND THE CURB LINE.
5. ALL REQUIRED FIRE HYDRANTS SHALL BE INSTALLED SO THAT THE STEAMER CONNECTIONS WILL FACE THE FIRE LANE OR STREET.
6. ALL FIRE HYDRANTS SHALL BE RIGHT HAND THREAD, OPEN - COUNTER CLOCKWISE, CLOSE - CLOCKWISE.
7. PAINT COLOR SCHEME SHALL BE FACTORY PAINTED FLYNT ALUMINUM FOR THE NOZZLE SECTION AND RUST PRIMER FOR THE BONNET.
8. HYDRANT SHOE INTERIOR AND EXTERIOR SHALL HAVE 8 TO 10 MILS OF FUSION BONDED EPOXY.
9. CONCRETE STRENGTH SHALL BE MINIMUM 3,000 PSI
10. REFER TO THRUST BLOCK DETAIL TABLE FOR THRUST BLOCK REQUIREMENTS
11. THE GUTTER, FACE, AND TOP OF CURB SHALL BE PAINTED RED FIVE FEET EITHER SIDE OF A FIRE HYDRANT, FOR A TOTAL OF 10 FEET CENTERED ON THE FIRE HYDRANT.
12. WHERE BURY LINE IS NOT CAST TO HYDRANT RISER, THE MANUFACTURER MUST PAINT A BURY LINE WHERE IT WOULD NORMALLY OTHERWISE BE LOCATED

PARALLEL FIRE HYDRANT ASSEMBLY

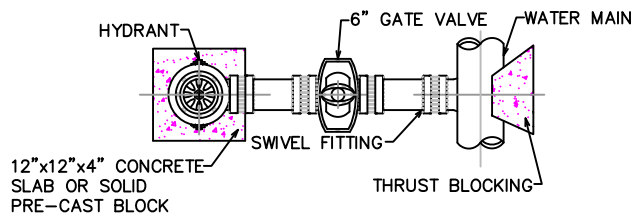


*CONTRACTOR MAY SUBSTITUTE THE APPROPRIATE SIZED PARALLEL SWIVEL TEE FOR PARALLEL SWIVEL FITTING AND TEE

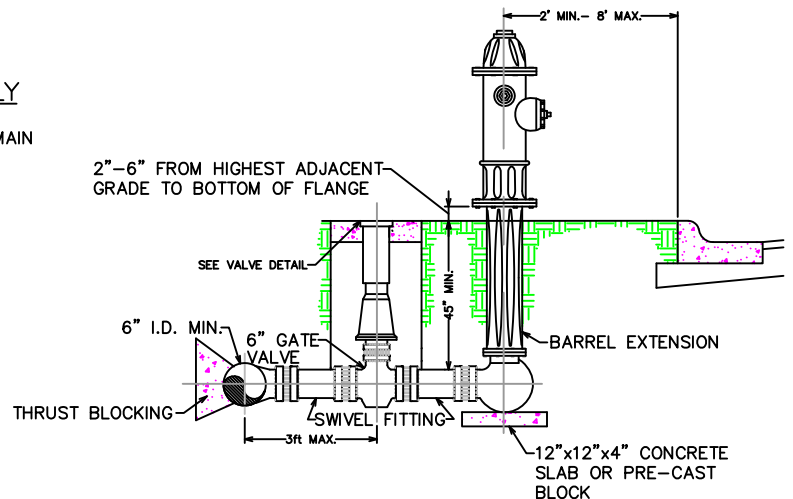


*WHERE ALL-THREAD ROD CONNECTIONS ARE REQUIRED ON MECHANICAL JOINT FITTINGS, THEY WILL BE ANCHORED TO A RIGID FITTING THAT IS RESTRAINED TO THE WATER MAIN

STANDARD FIRE HYDRANT ASSEMBLY



*CONTRACTOR MAY SUBSTITUTE THE APPROPRIATE SIZED SWIVEL TEE FOR SWIVEL FITTING AND TEE



SECTION



CITY OF TEMPLE
 ENGINEERING DEPARTMENT

3210 E. Avenue H, Bldg. A

TEMPLE, TX, 76501-8402

APPROVED BY: Michael Newman, P.E.

DSAB APPROVED DATE:

DRAWN BY: Chris Peal

FILE NAME: Hydrant & Gate Valve.dwg

FIRE HYDRANT ASSEMBLY DETAIL

SCALE:
 NTS